

## PREMIER STEEL 2-CAR CARPORT/GAZEBO

The ChikoUSA Premier Steel 2-Car Carport / Gazebo is the most cost effective solar canopy solution in the market today! This elegant structure is designed with a beam and column configuration resulting in superior strength. Ease and speed of install are two important design benefits. This structure can accommodate a variety of panel sizes and configurations. The steel coating of Zinc-Aluminum-Magnesium (Zn-Al-Mg) or ZAM provides the best In class protection while delivering superior corrosion resistance.

### PRODUCT LINE

**Item** CK-QLCP-STEEL **Product Name** Premier Steel 2-Car Carport/Gazebo

### TECHNICAL DATA

Main Material : S350 Steel Zinc Aluminum Magnesium (Zn-Al-Mg) Coated  
 Wind Velocity : Up to 120MPH  
 Snow Load : Up to 10 PSF  
 Tilt angle : 5 Degrees  
 Module Orientation : Landscape & Portrait  
 Foundation : 3 Footer Options-SEE BELOW  
 Waterproof : Optional  
 Module Type : 60, 72 Cell & Large Format

### ADVANTAGES

- Beautiful
- Easy installation
- Zinc Aluminum Magnesium (Zn-Al-Mg) Coated
- Anti-corrosion and anti-rust

### FOOTER OPTIONS

Pier  
 Pad  
 Spread

### WARRANTY



### COMPONENT LIST

Material	QTY
Column	04
M-Rail	07
C-Channel	06
Column Base	04



### UL 2703



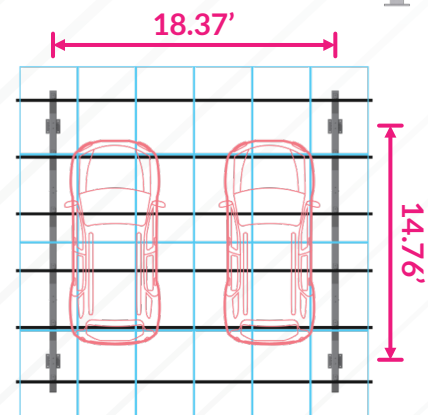
Black



Silver



Side Profile



Overhead

